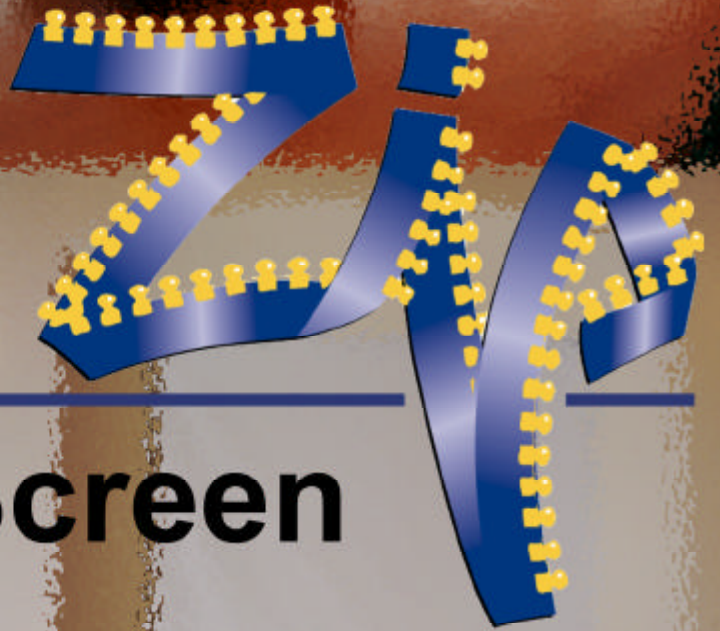


The logo consists of the letters 'S', 'H', and 'Y' in a bold, blue, sans-serif font. Each letter is contained within a white rectangular box with a blue border. The boxes are arranged horizontally and separated by thin blue lines.

**SHY**



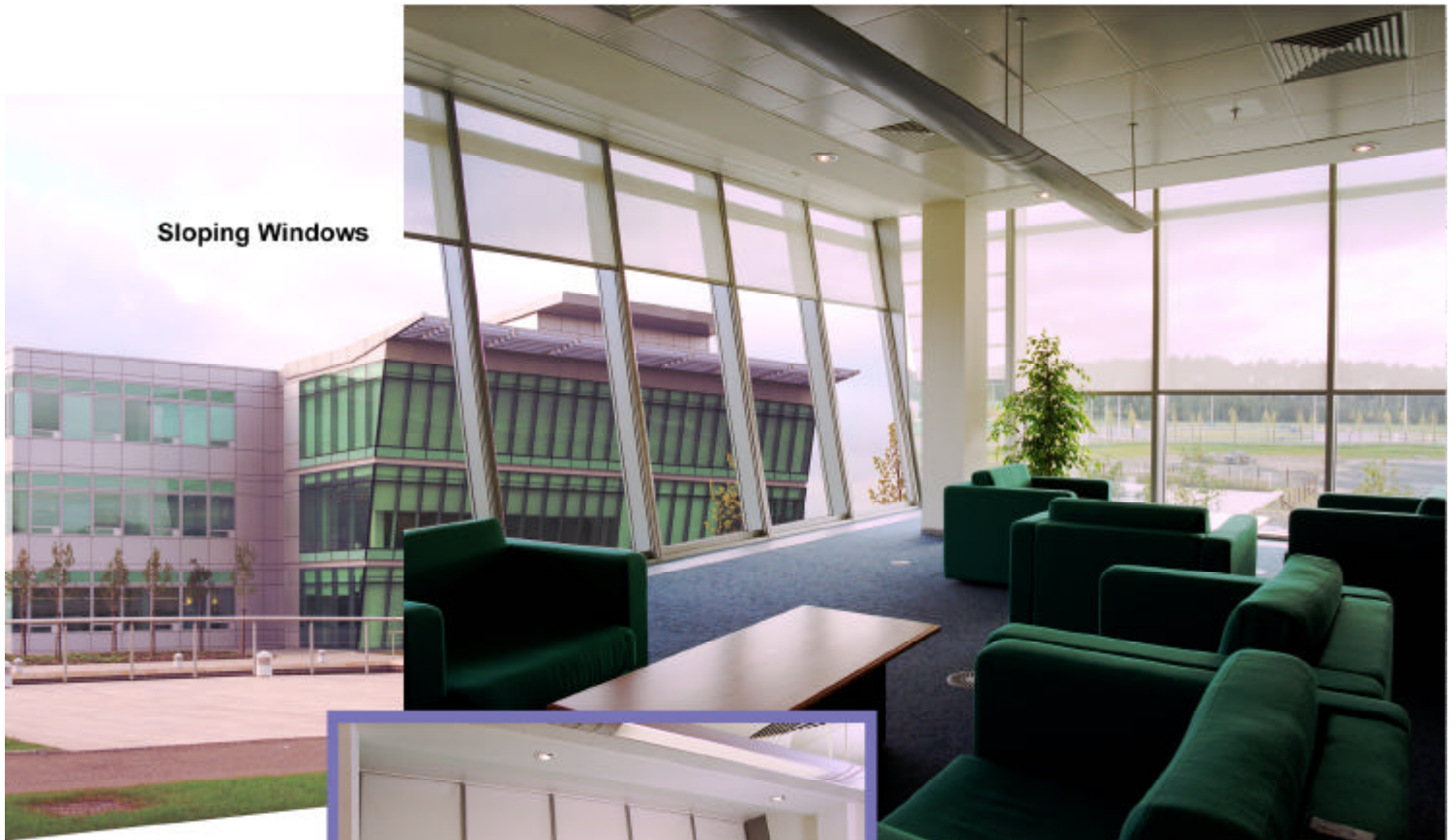
---

**SHY Zip Screen**



- Patented Zip Side channels that are slim, elegant, reliable and 100% functional.
- Insect Screen, Shading or Blackout cloths in a range of colours and finishes.
- Rooflight or Sloping using our unique tensioning system.
- Internal or External for the home to an award winning architecturally designed building.
- Manual with options from the most simple hand operation to cord, gearbox and side winder.
- Electric by a single switch, radio control or automatic operation under rain, wind or solar detectors.
- Blinds of all sizes from the very small to the very large.
- Versatile and Reliable.

### Sloping Windows



The Cadance Building (Scotland)  
Twin system installation  
Screen cloths to front  
Blackout cloths behind  
Installation by IBS Ltd.

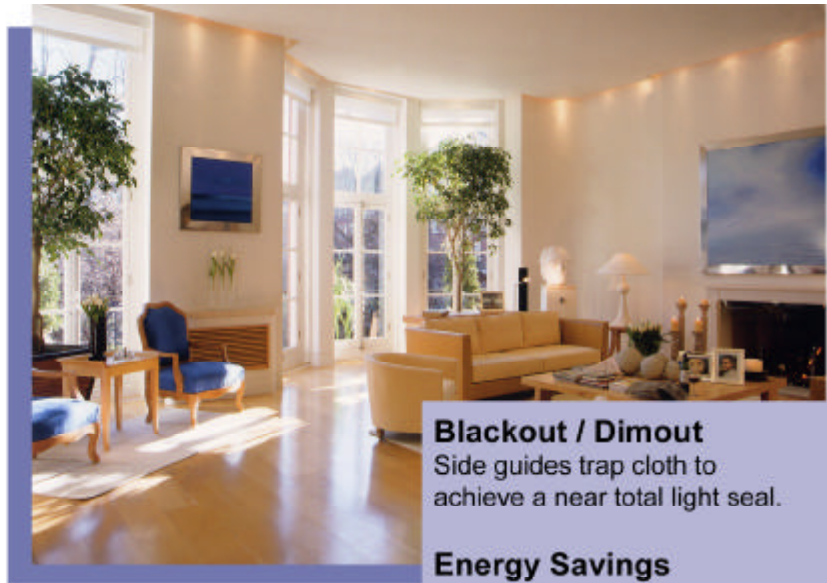


**Slim**

**Elegant**

**Unobtrusive**

**100% functional**



London Flat,  
SHY Zip Screen fitted with Paradise White Cloth  
Installation by Blinds by Design Ltd.

**Blackout / Dimout**  
Side guides trap cloth to achieve a near total light seal.

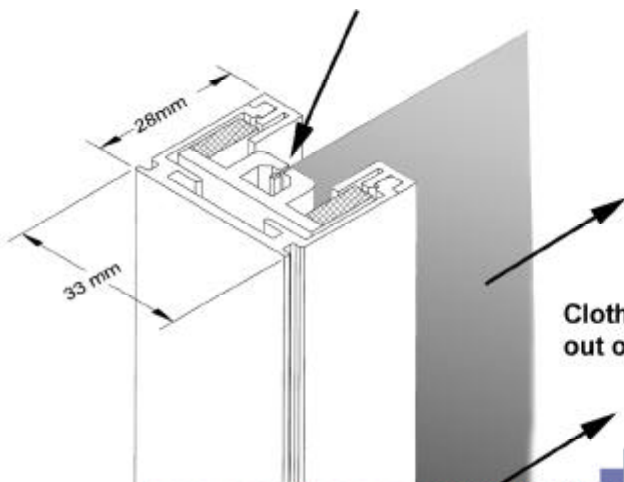
**Energy Savings**  
Air is trapped between the window pane and cloth, thus forming an insulating layer.

**Noise Reduction**  
With air trapped between the window pane and cloth, a degree of noise reduction is achieved in the same way as double glazing.

**Wind Resistance**  
Our unique Zip guides stop the cloth pulling or blowing out of the side channels, even if fitted externally.

**Applications**  
Shading, Insect Screens, Space dividers  
solar control (light & heat)  
and many many more .....

A zip is welded to the cloth edge that runs within a guide inside the side channel.

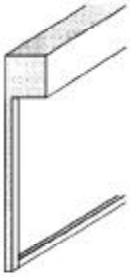


Cloth will not pull or blow out of side channels



The Dynamic Earth (Edinburgh) SHY Zip Screen Blackout  
Installation by IBS Ltd.

### Normal



#### Operation

- Hand
- Side Winder
- Cord
- Gearbox & Crank handle
- Electric

#### Size Range

Width 200 to 500mm  
Drop 200 to 8000mm  
Above 9 SqM must be Electric or Gearbox

### Sloping



#### Operation

- Hand
- Side Winder
- Cord
- Gearbox & Crank handle
- Electric

#### Size Range

Width 300 to 3000mm  
Drop 300 to 8000mm  
Above 7 SqM must be Electric or Gearbox  
Above 25 degrees from vertical, see Rooflight.  
\* Guide figures subject to angle of slope

### Lifting up



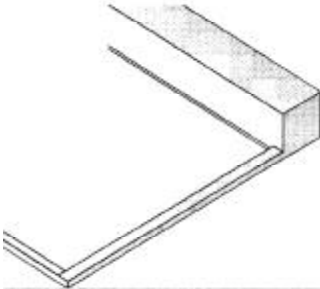
#### Operation

- Hand
- Cord
- Electric

#### Size Range

Width 200 to 3000mm  
Drop 200 to 3000mm  
Above 5 SqM must be Electric Rooflight  
\*guide figures subject to angle of slope.

### Manual Rooflight



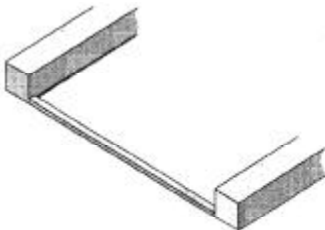
#### Operation

- Hand
- Cord
- Gearbox & Crank handle
- Electric - see Electric Rooflight

#### Size Range

Width 300 to 3000mm  
Drop 300 to 3000mm  
Above 5 SqM must be as Electric Rooflight.  
\*guide figures subject to angle of slope.

### Electric Rooflight



#### Operation

- Electric

#### Size Range

Width 500 to 3500mm  
Drop 300 to 3000mm  
\*guide figures subject to angle of slope.

### Curved



#### Operation

- Hand
- Side Winder
- Gearbox & Crank handle
- Electric

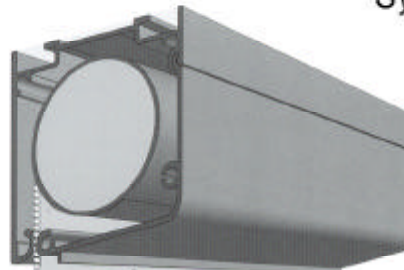
#### Size Range

Width 500 to 3000mm  
Drop 500 to 6000mm  
Above 9 SqM must be Electric or Gearbox.  
Size of blind will depend on radius of curve.



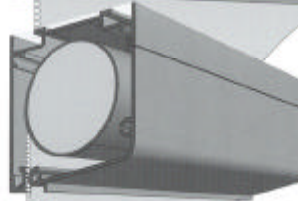
## System Programme

### Box Sizes



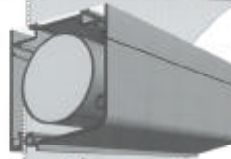
#### 150mm Square

Guide for Normal Operation  
- Maximum Drop 6000mm for Electric.  
- Maximum Drop 2500mm for twin system Electric.  
(Two screens within the same box, one Blackout and one shading).



#### 110mm Square

Guide for Normal Operation  
- Maximum Drop 4500mm for Electric and Gearbox.  
- Maximum Drop 3500mm for Side Winder and Cord.



#### 85mm Square

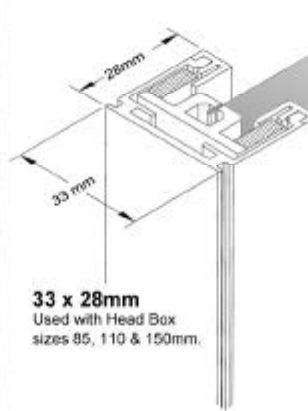
Guide for Normal Operation  
- Maximum Drop 2700mm for Electric and Gearbox.  
- Maximum Drop 2500mm for Side Winder and Cord.



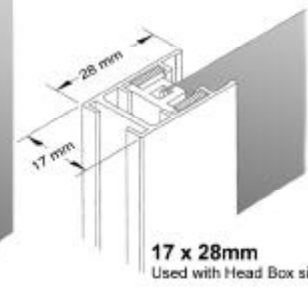
#### 65mm Square

Guide for Normal Operation  
- Maximum Drop 1700mm for Electric (12V.DC) and Side Winder.  
- Maximum Drop 2000mm for Hand.

### Channel Options



**33 x 28mm**  
Used with Head Box sizes 85, 110 & 150mm.



**17 x 28mm**  
Used with Head Box size 65mm only.

### Electric Operation



### Gearbox Operation



### Hand Operation



### Side Winder Operation



### Cord Operation

