

4100

PRIVACY RAIL
SYSTEMS

4100



ALUMINIUM RAIL



G-Rail 4100 is a strong, functional and fully reversible profile.

Conforming to HTM66, series 4100 offers a comprehensive range of accessories to suit all fixing possibilities. Elegant in design and function 4100 is suitable for use with up-lighters for improved ambient hospital ward lighting. Synthetic wall and ceiling fittings allow rail 4100 to comply with the European NEN-3134 standard for special care rooms requiring anti-static facility.

Standard colours: White RAL 9010, natural.

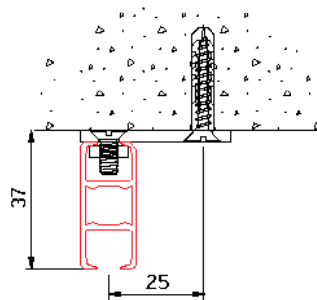
PRIVACY RAIL SYSTEMS

4100

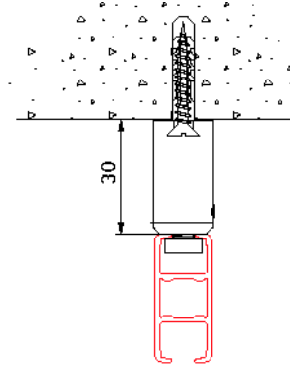


4100 > Cubicle rail priv

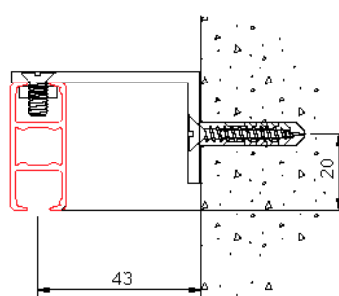
Installation



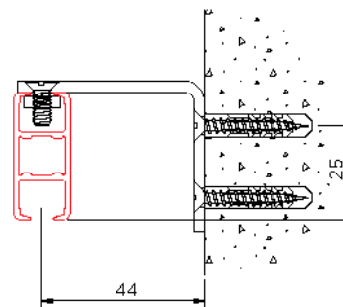
ceiling fixing with plate 4135



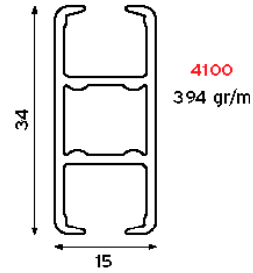
ceiling fixing with mini suspension hanger 4254



wall fixing with bracket 4141



wall fixing with bracket 4140



Specification Guide

Material:

Aluminium 606035-T6-F22. (Higher specification than DIN 1725).
 Shape and size tolerances are in accordance with DIN 17615.
 Satin silver anodised in accordance with the Qualanod standard.
 Powder coat white RAL 9010 in accordance with the Qualicoat standard.
 Profile weight: 394 gr/m.

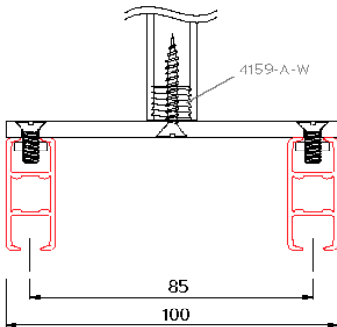
Accessories:

Glider-hooks 4008 (rotating glider with SS hook) at 10 per metre,
 two end stops 4002 per length. Dust cover 4145 and connecting
 bridge 4165 to suit.

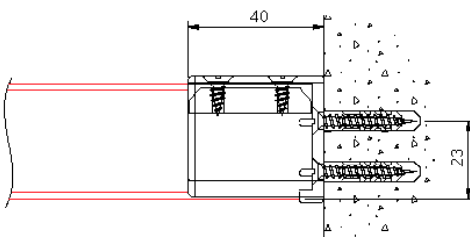
Installation:

Ceiling fixing with 4135 ceiling fixing plate, 4254 mini suspension
 hanger, 4155 suspension hanger, 4160 or 4161 V hanger, 4064 strut
 hanger with plate.
 Wall fixing with 4150 wall support, 4141 wall bracket or 4140 plexi-
 glass wall bracket.

for room dividing and acy in the healthcare sector.



parallel rail fixing with bridging plate 4116-10



wall fixing with bracket 4150

This system can also be mounted with anti-ligature Load Release components, to provide a controlled system collapse.

NEN-3134: Isolated fixing in S3 (anti-static) rooms.

Ceiling fixing with suspension hanger 4155 (using synthetic ceiling stud 4156), wall fixing with plexiglass wall bracket 4140 and synthetic wall support 4150. An earth cable needs to be connected.

Bracket distance (cm) in accordance with G-Standard or the following table:

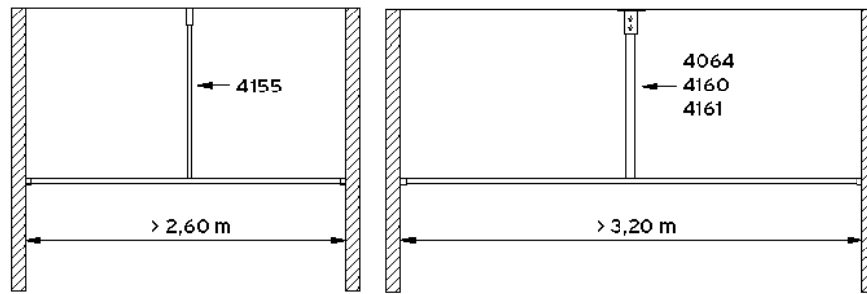
light	medium	heavy	(curtains)
240*)	180*)	120	

*) Please take into account the lateral deflection within the rail.
 This effect can be reduced by using a V-hanger or strut-hanger with fixing plate.

Bending:

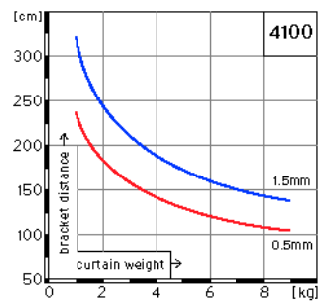
Radius: 20 cm, 30 cm or greater than 1 m. Bending machine 1015.

Product example



This picture shows when a 'strut-hanger' (4064) or V-hanger (4160/4161) is used and when a vertical suspension hanger (4155) is sufficient.

G-Standard (bracket fixing guide)



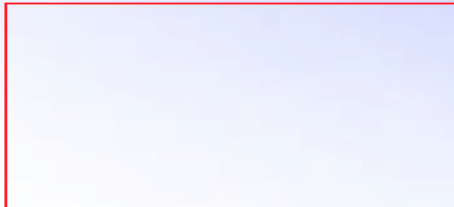
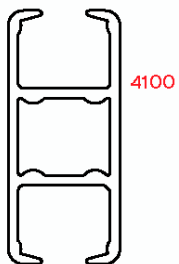
CURTAIN TRANSPORT							
	4002 end stop		4161 V-hanger		4141 wall bracket colours: N - W		
	4003 spring stop		4161-2		4161-1		
	4007 rotating glider not for use with 4180 or 4181 colours: S - W		4168				
	4008 rotating glider 4007 with SS-hook not for use with 4180 or 4181 colours: S - W		4160 V-hanger, complies with NEN 3134 colours: B - N - W	ACCESSORIES			
	4013 rotating glider with ring (max. 8 kg) for 4180 and 4181 colour: ZW		4156	4157		4145 dust cover colours: B - GR - W	
	4007-30		4158	1420-555-15 ceiling rose when fixing through suspended ceiling tiles, internal Ø 15 mm		4130 T-junction for right angle connections colours: N - W	
CEILING MOUNTING			4116-10 bridging plate with hole		4153 end cover colours: GR - W		
	4155 suspension hanger, complies with NEN 3134 colours: B - G - N - W		4116-20 : without hole colours: N - W				4181-30 infusion hook 30 cm
	componentry when fixing through suspended ceiling tiles: 1420-555-15 ceiling rose 4157-UK-20 dummy support						
	4064 strut hanger, inclusive of fixing screws and Ø 22 mm ceiling rose (scan plate) when fixing through suspended ceiling tiles colours: GR - W		4254 suspension hanger 3 cm colours: B - G - N - W		4180 infusion bottle hanger		
		WALL MOUNTING					4150 wall support, complies with NEN 3134 colours: GR - W
	1420-564-22 ceiling rose (inclusive) internal Ø 22 mm		4140 plexiglass wall support for mounting in accordance with NEN 3134		4165 connecting bridge colours: N - W		

B = Brown
G = Gold
GR = Grey
N = Natural
S = Silver
W = White
ZW = Black

= standard item
NEN 3134: anti-static legislation

PRIVACY RAIL SYSTEMS

4100



Space for dealer address